

# Pro Components

## CTP-S17 SERIES SURFACE MOUNT PRINTED CIRCUIT TEST POINTS

### SPECIFICATIONS:

Contact Material: 0.381mm x 0.762mm(0.015" x 0.030") Diameter.  
Phosphor Bronze #510 Alloy, 1/2 Hard.

Contact Finish: 0.00254mm(0.0001") Tin Lead Plating  
over 0.00254mm(0.0001") Copper.

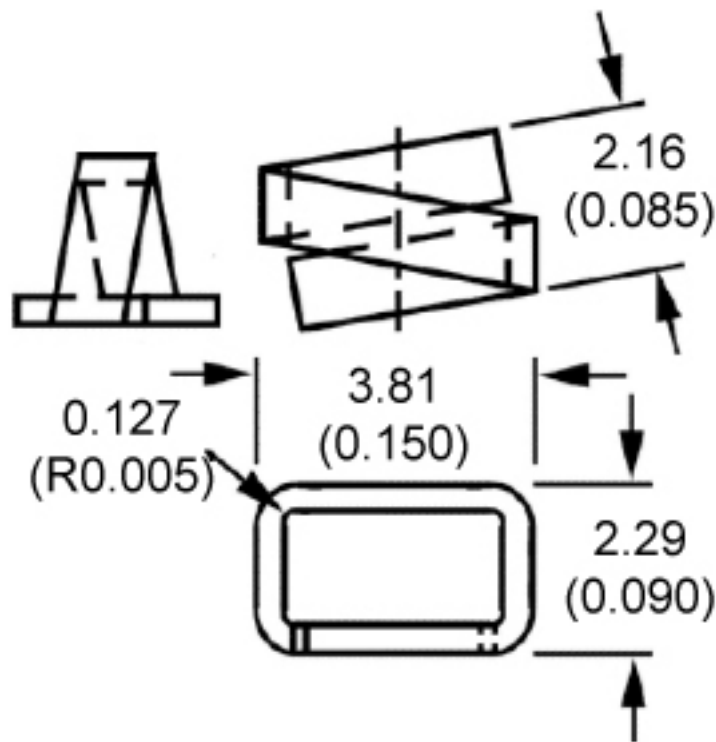
Tape Material: 12mm(0.472") Wide  
Pitch: 4mm(0.157")  
Conductive Polycarbonate Carrier meets  
ANSI/EIA-481 Standard



Pad Size: 4.699mm x 3.429mm(0.185" x 0.135")

Reel Size: 13" Diameter -5000/Reel  
7" Diameter -1000/Reel

### DIMENSIONS: UNITS: mm(inches)



Part Number	Packaging
CTP-S17B	Bulk
CTP-S17T	Tape and Reel